

1

2

3

4

5

6

7

8

A

B

C

D

E

F

A

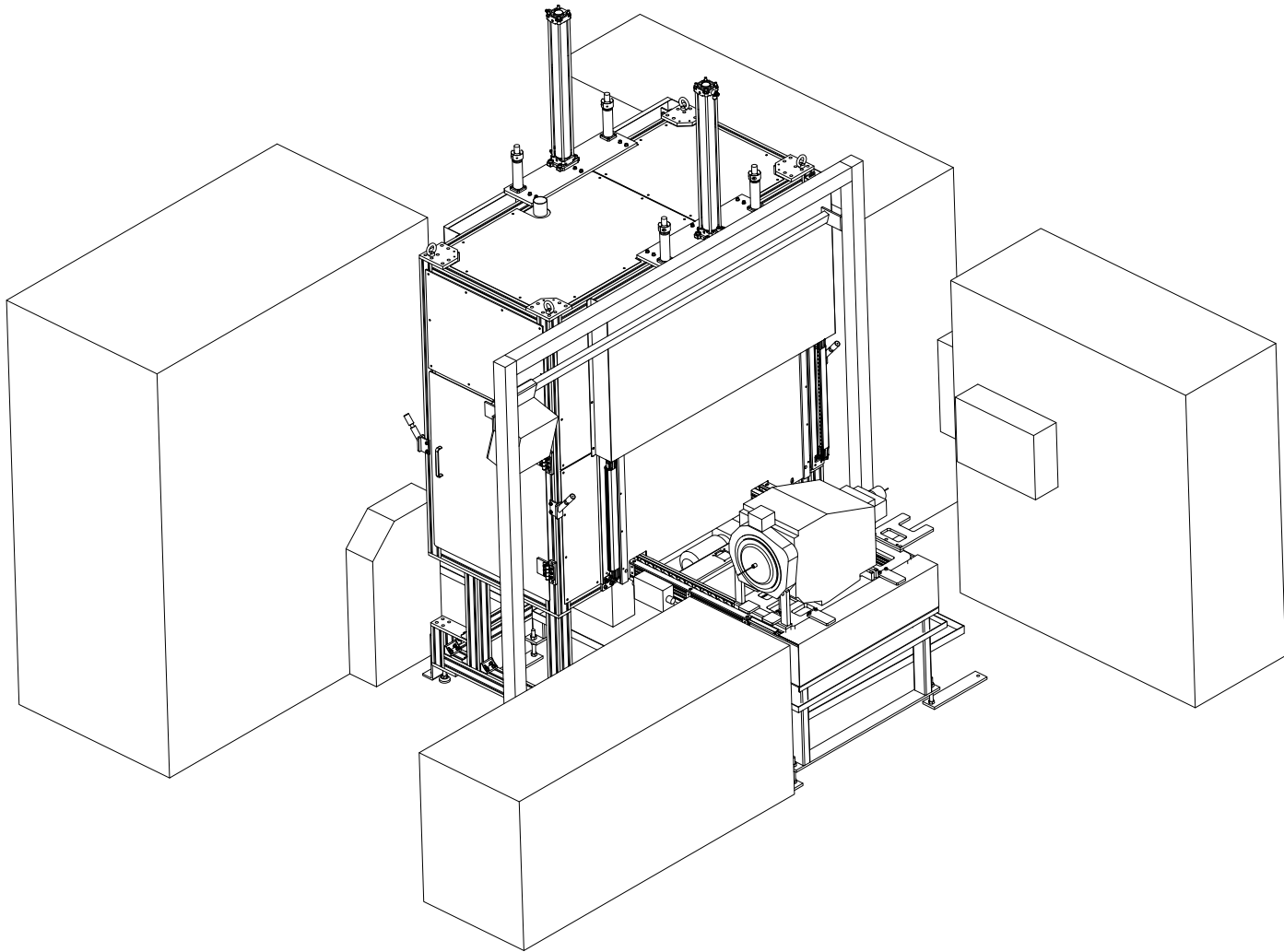
B



C

D

E

F



SCALE 1:10		DATE		CUSTOMER NAME		JOB NUMBER	
APPROVED	CHECKED	DESIGNED	DRAWN	JOB NAME		DRAWING NUMBER	
 THIRD ANGLE PROJECTION				DRAWING TITLE		 株式会社ユニテック・アルファ	

1

2

3

6

7

8